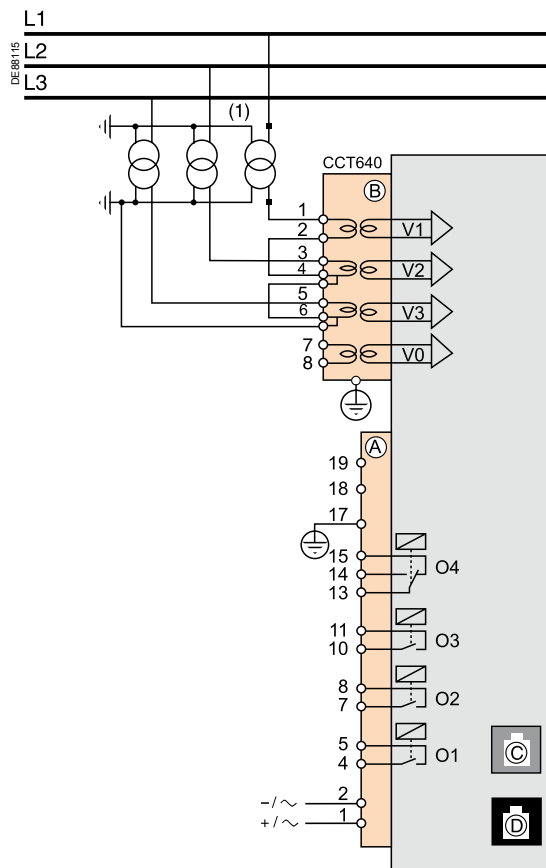
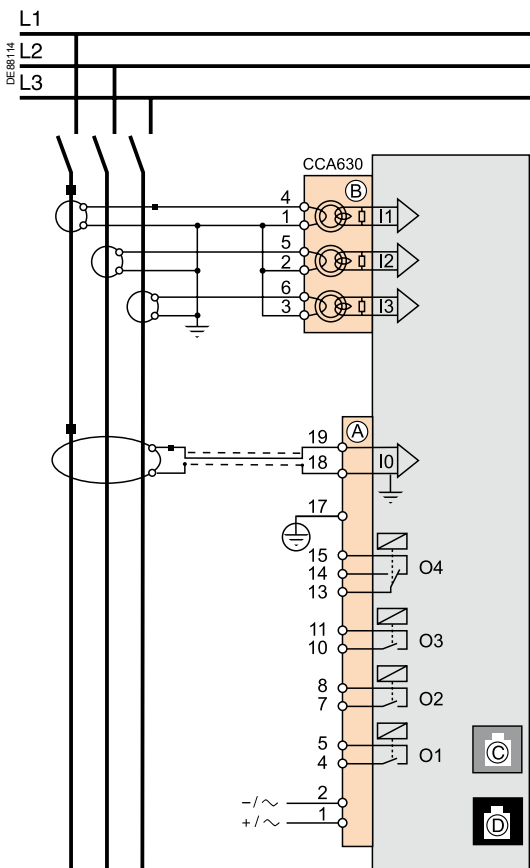


Sepam S20, S23, T20, T23
and M20

Sepam B21 and B22



(1) This type of connection allows the calculation of residual voltage.

Connection

Dangerous voltages may be present on the terminal screws, whether the terminals are used or not. To avoid all danger of electrical shock, tighten all terminal screws so that they cannot be touched inadvertently.

Connector	Type	Reference	Wiring
A	Screw type	CCA620	<ul style="list-style-type: none"> ■ wiring with no fittings: <ul style="list-style-type: none"> □ 1 wire with max. cross-section 0.2 to 2.5 mm² (≥AWG 24-12) or 2 wires with max. cross-section 0.2 to 1 mm² (≥AWG 24-16) □ stripped length: 8 to 10 mm ■ wiring with fittings: <ul style="list-style-type: none"> □ recommended wiring with Telemecanique fittings: <ul style="list-style-type: none"> - DZ5CE015D for 1 x 1.5 mm² wire - DZ5CE025D for 1 x 2.5 mm² wire - AZ5DE010D for 2 x 1 mm² wires □ tube length: 8.2 mm □ stripped length: 8 mm
	6.35 mm ring lugs	CCA622	<ul style="list-style-type: none"> ■ 6.35 mm ring or spade lugs (1/4 in) ■ maximum wire cross-section of 0.2 to 2.5 mm² (≥AWG 24-12) ■ stripped length: 6 mm ■ use an appropriate tool to crimp the lugs on the wires ■ maximum of 2 ring or spade lugs per terminal ■ tightening torque: 0.7 to 1 Nm
B For Sepam S20, S23, T20, T23 and M20	4 mm ring lugs	CCA630, CCA634 for connection of 1 A or 5 A CTs	<ul style="list-style-type: none"> ■ wire cross-section of 1.5 to 6 mm² (AWG 16-10) ■ tightening torque: 1.2 Nm (13.27 lb-in)
	RJ45 plug	CCA670, for connection of 3 LPCT sensors	Integrated with LPCT sensor
B For Sepam B21 and B22	Screw type	CCT640	Same as wiring for the CCA620
C	Green RJ45 plug		CCA612
D	Black RJ45 plug		CCA770: L = 0.6 m (2 ft) CCA772: L = 2 m (6.6 ft) CCA774: L = 4 m (13 ft)